



Features:

- No UV light radiation.
- Provide 120° beam angles.
- Bending diameter: $\geq \varnothing 15\text{mm}$
- Easy installation.
- Very low power consumption: Less than 6W/m.
- High CRI: Ra80
- Long lifetime: 25,000 hours (L₇₀).
- Operating temperature: -20°C \sim +50°C.
- 24V DC input.
- LED type: 2835 LED, 126 Pcs/m.
- Protection: IP65.

Benefits:

- Energy cost savings:
Over 60% compared to incandescent
- Solid-state:
High-shock & high-vibration resistant,
both electrical and mechanical
- Eco-Friendly:
No mercury, no lead content
- No hazardous emissions:
No UV or IR radiation
- Constant light output:
Even lighting, Non-halation

Application:

- Entertainment lighting
- City beautification
- Bar lighting
- Other lighting

Product Specifications:

Input Voltage	24V DC
Power (Wattage)	6W/m
Operating Frequency	---
Operating Temperature	-20°C ~ +50°C
Storage Temperature	-30°C ~ +60°C
Light Profile	Side shine
FPC Light Direction	Vertical
Continuous Length (Single End Feeding)	5m
Continuous Length (Double End Feeding)	10m
Dimension (mm)	2.8×8
Min Cutting Unit	1 LED/6.58mm
Certification	CE and RoHS

Product Selection Guide:

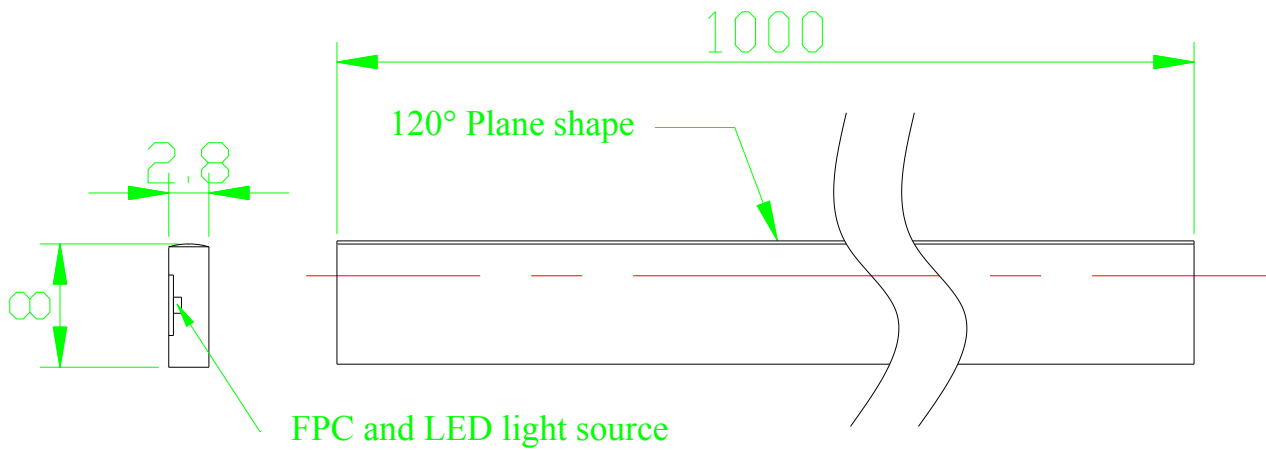
Product	Beam Angle	Total Lumens	CCT/Wavelength	Color	CRI
LN-30P126SH-0208	120°	150-160 lm/m	2800-3200K	Warm White	Ra80

LN-30P126SH-0208

① ②③ ④ ⑤⑥ ⑦

- ① LN: Bendable neon LED strips.
- ② 30: CCT (Correlated color temperature).
- ③ P: Flat top (120° Plane shape).
- ④ 126: 126 pcs of LED.
- ⑤ S: DC 24V.
- ⑥ H: Horizontal side bending only.
- ⑦ 0208: W*H: 2.8*8 mm (Cross sectional dimensions).

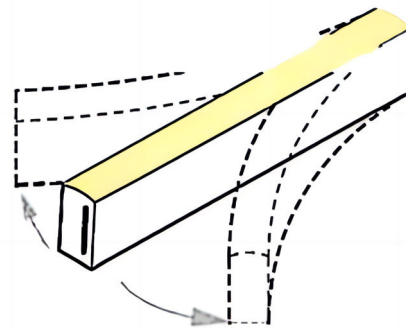
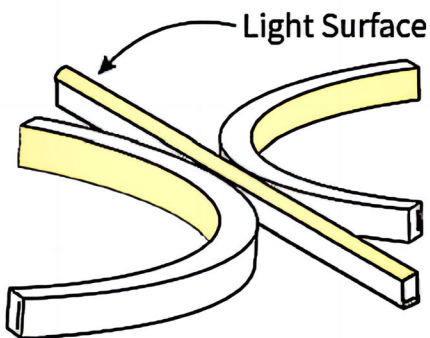
Product Dimensions:



Notes:

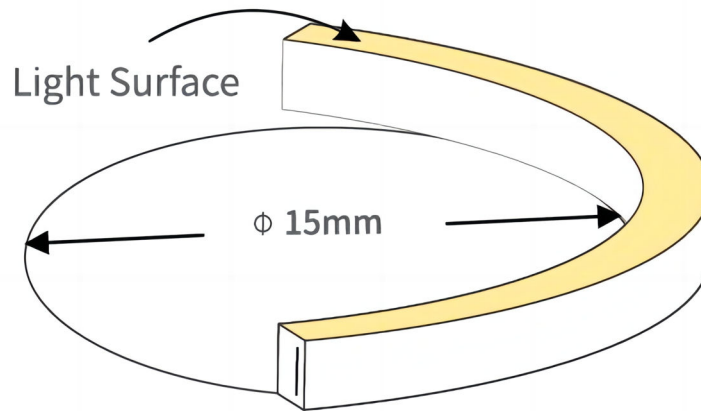
1. All dimensions unit in millimeters.
2. Tolerances are ± 1 mm unless otherwise noted.

Bending Direction:

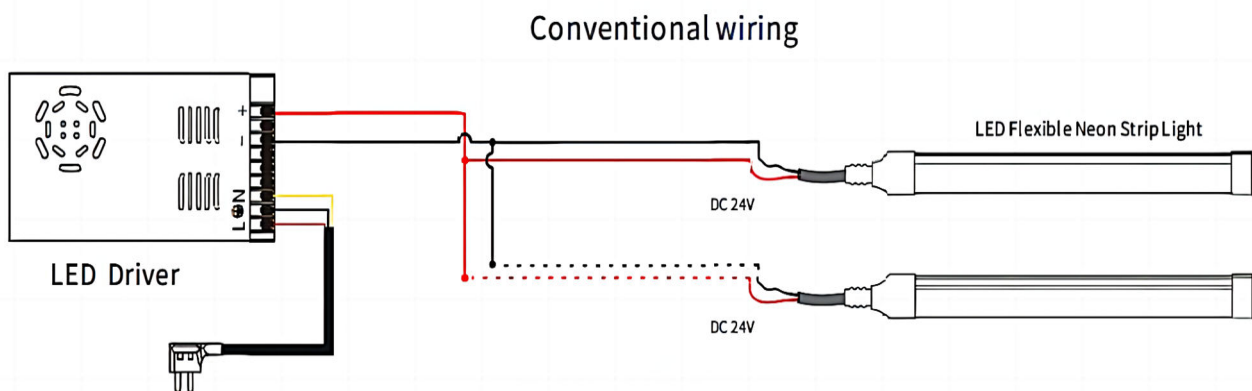


Horizontal Side Bending Only

Minimum Bending Diameter



LED Strip Light Loading Chart



Installation Instructions and Warnings:

- Turn off power before inspection, installation, or removal.
- Do not use in totally enclosed fixtures.
- Please make sure to use a suitable adapter. Please mind the minimum load of your adapter.