



### Features:

- No UV light radiation.
- Provide 120° beam angles.
- Bending diameter:  $\geq \varnothing 100\text{mm}$
- Easy installation.
- Very low power consumption: Less than 11W/m.
- High CRI: Ra90
- Long lifetime: 25,000 hours ( $L_{70}$ ).
- Operating temperature:  $-20^{\circ}\text{C} \sim +50^{\circ}\text{C}$ .
- 12V DC input.
- LED type: 2835 LED, 126 Pcs/m.
- Safety lighting: Light for one minute, store light for six hours.
- Protection: IP67.

### Benefits:

- Energy cost savings:  
Over 60% compared to incandescent
- Solid-state:  
High-shock & high-vibration resistant,  
both electrical and mechanical
- Eco-Friendly:  
No mercury, no lead content
- No hazardous emissions:  
No UV or IR radiation
- Constant light output:  
Even lighting, Non-halation

### Application:

- Entertainment lighting
- City beautification
- Bar lighting
- Other lighting

## Product Specifications:

|  |               |
|--|---------------|
| Input Voltage                          | 12V DC        |
| Power (Wattage)                        | 11W/m         |
| Operating Frequency                    | ---           |
| Operating Temperature                  | -20°C ~ +50°C |
| Storage Temperature                    | -30°C ~ +60°C |
| Light Profile                          | Plane Surface |
| FPC Light Direction                    | Horizontal    |
| Continuous Length (Single End Feeding) | 5 m           |
| Continuous Length (Double End Feeding) | 10 m          |
| Dimension (mm)                         | 10×10         |
| Min Cutting Unit                       | 3 LEDs/23.8mm |
| Light Storing Time                     | 6 H           |
| Certification                          | CE and RoHS   |

## Product Selection Guide:

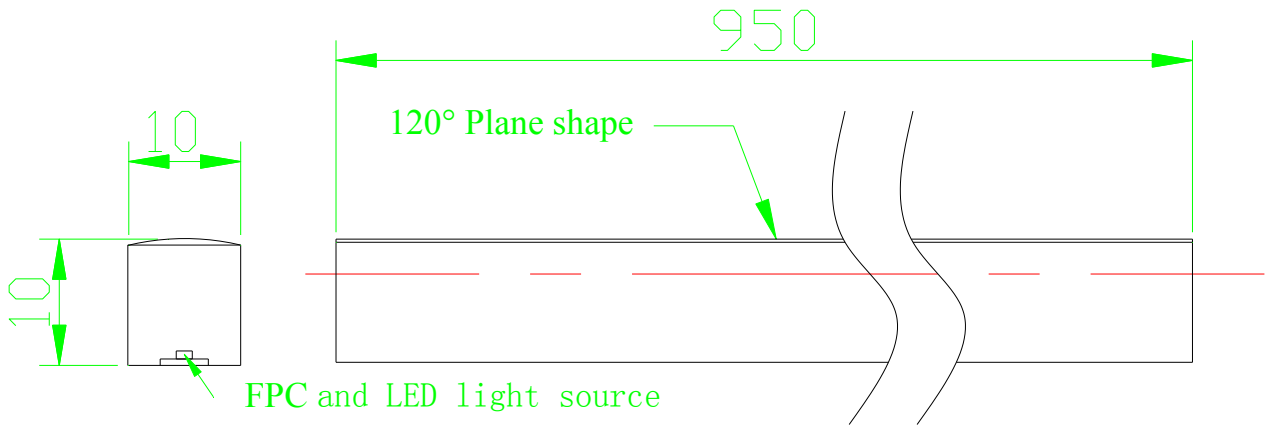
| Product           | Beam Angle | Total Lumens | CCT/Wavelength | Color      | CRI  |
|-------------------|------------|--------------|----------------|------------|------|
| LN-30P126RV-1010E | 120°       | 850-900 lm/m | 2800-3200K     | Warm White | Ra90 |

## LN-30P126RV-1010E

① ② ③ ④ ⑤ ⑥ ⑦ ⑧

- ① LN: Bendable neon LED strips
- ② 30: CCT (Correlated color temperature).
- ③ P: Flat top (120° Plane shape).
- ④ 126: 126 pcs of LED.
- ⑤ R: DC 12V.
- ⑥ V: Vertical side bending only.
- ⑦ 1010: W\*H: 10\*10 mm (Cross sectional dimensions).
- ⑧ E: Safety lighting.

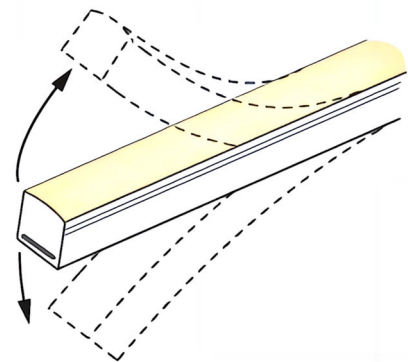
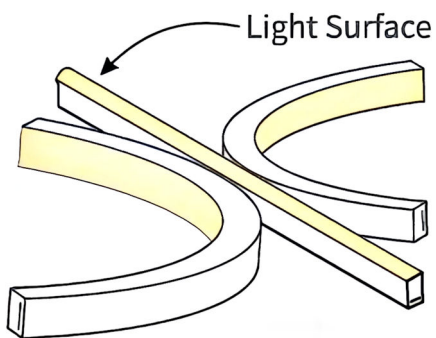
Product Dimensions:



Notes:

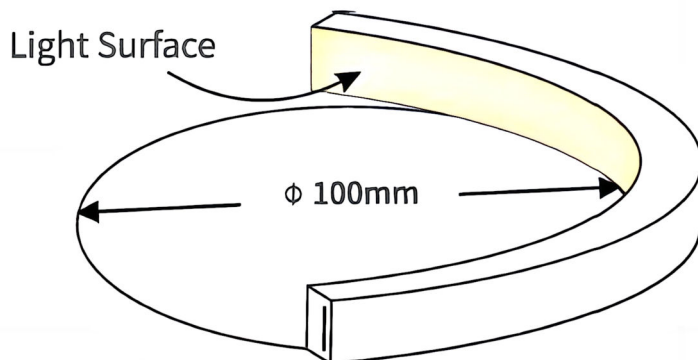
1. All dimensions unit in millimeters.
2. Tolerances are  $\pm 1$  mm unless otherwise noted.

Bending Direction:

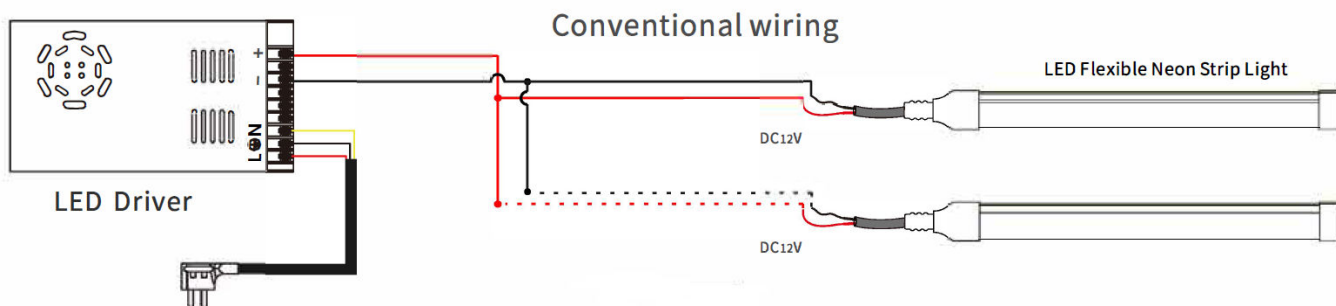


Vertical Side Bending Only

Minimum Bending Diameter



LED Strip Light Loading Chart



Installation Instructions and Warnings:

- Turn off power before inspection, installation, or removal.
- Do not use in totally enclosed fixtures.
- Please make sure to use a suitable adapter. Please mind the minimum load of your adapter.