

SR185VBC-2B-B41BJ
3.2x2.7mm, Red & Blue LED



Round Subminiature Package Bi-Color Chip LED Indicator

Technical Data Sheet

Features:

- Package in 8mm tape on 7" diameter reel.
- Compatible with automatic placement equipment.
- Compatible with infrared and vapor phase reflow solder process.
- Bi-color type.
- Color: Red & Blue.
- The product itself will remain within RoHS compliant Version.

Descriptions:

- The SR185 SMD LED is much smaller than lead frame type components, thus enable smaller board size, higher packing density, reduced storage space and finally smaller equipment to be obtained.
- Besides, lightweight makes them ideal for miniature applications, etc.

Applications:

- Backlighting in dashboard and switch.
- Telecommunication: Indicator and backlighting in telephone and fax.
- Flat backlight for LCD, switch and symbol.
- General use.

SR185VBC-2B-B41BJ

3.2x2.7mm, Red & Blue LED

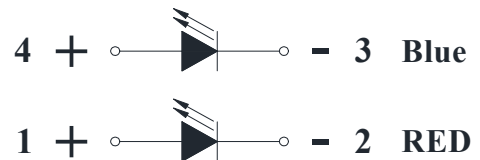
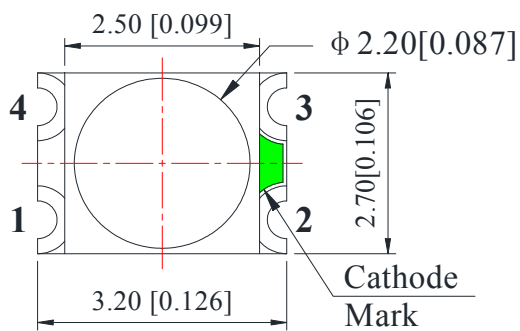


Round Subminiature Package Bi-Color Chip LED Indicator

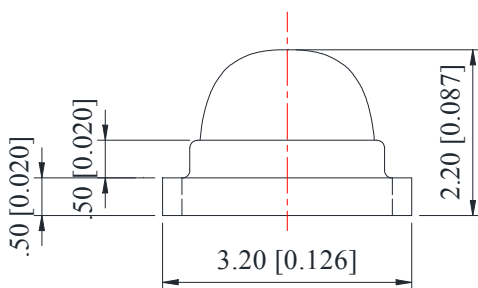
Technical Data Sheet

Part No.	Emitting Color		Lens Color
SR185VBC-2B-B41BJ	V	Red	Water Clear
	B	Blue	

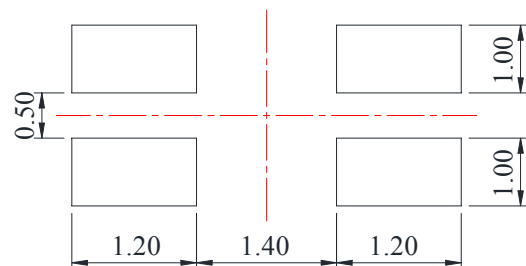
Package Dimension:



Polarity



Recommended Soldering Pad Dimensions



Notes:

1. All dimensions are in millimeters (inches).
2. Tolerance is ± 0.25 mm (.010") unless otherwise noted.

SR185VBC-2B-B41BJ
3.2x2.7mm, Red & Blue LED



Round Subminiature Package Bi-Color Chip LED Indicator

Technical Data Sheet

Absolute Maximum Ratings at Ta=25°C

Parameters	Symbol	Emitting Color	Max.	Unit
Power Dissipation	PD	Red	60	mW
		Blue	80	
Peak Forward Current ^(a)	IFP	Red	100	mA
		Blue	100	
Continuous Forward Current	IF	Red	25	mA
		Blue	25	
Reverse Voltage	VR	5		V
Electrostatic Discharge (HBM)	ESD	Red	2000	V
		Blue	1000	V
Operating Temperature Range	Topr		-40°C to +85°C	
Storage Temperature Range	Tstg		-40°C to +85°C	
Soldering Temperature	Tsld		260°C for 5 Seconds	

Notes:

a. Duty Factor = 10%, Frequency = 1 kHz

SR185VBC-2B-B41BJ
3.2x2.7mm, Red & Blue LED



Round Subminiature Package Bi-Color Chip LED Indicator

Technical Data Sheet

Electrical Optical Characteristics at Ta=25°C

Parameters	Symbol	Emitting Color	Min.	Typ.	Max.	Unit	Test Condition
Luminous Intensity ^(a)	IV	Red	300	550	---	mcd	IF=20mA
		Blue	200	400	---		
Viewing Angle	2θ1/2	Red	---	30	---	Deg	IF=20mA
		Blue	---	30	---		
Peak Emission Wavelength	λp	Red	---	632	---	nm	IF=20mA
		Blue	---	463	---		
Dominant Wavelength ^(b)	λd	Red	---	624	---	nm	IF=20mA
		Blue	---	465	---		
Spectral Line Half-Width	Δλ	Red	---	20	---	nm	IF=20mA
		Blue	---	20	---		
Forward Voltage ^(c)	VF	Red	1.60	2.00	2.40	V	IF=20mA
		Blue	2.60	3.00	3.40		
Reverse Current	IR	Red	---	---	10	μA	VR=5V
		Blue	---	---	10		

Notes:

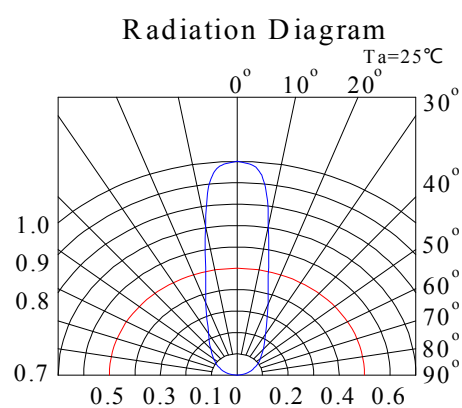
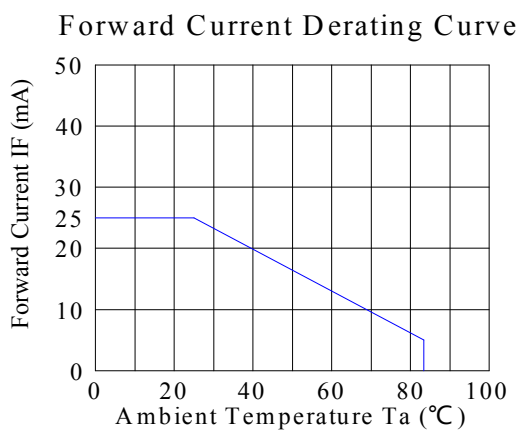
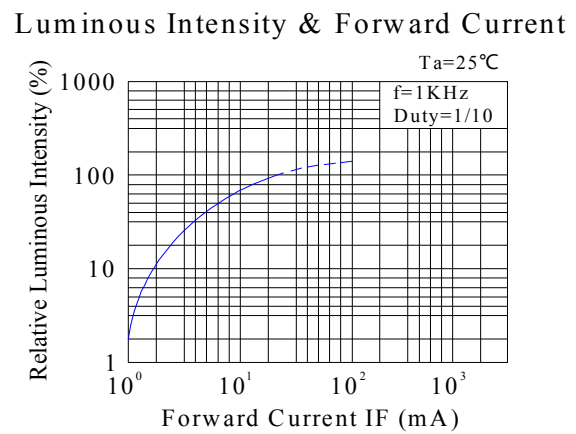
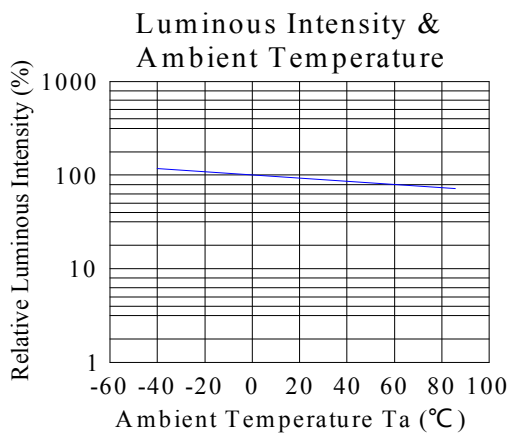
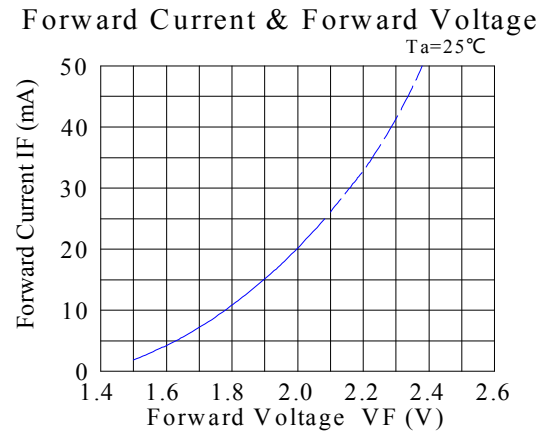
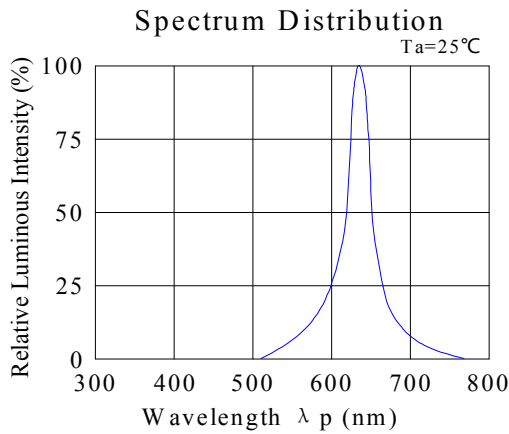
- a. Luminous flux measurement tolerance: ±10%.
- b. Wavelength measurement tolerance: ±1nm
- c. Forward voltage measurement tolerance: ±0.1V

Round Subminiature Package Bi-Color Chip LED Indicator

Technical Data Sheet

Typical Electrical / Optical Characteristics Curves
(25°C Ambient Temperature Unless Otherwise Noted)

Red:



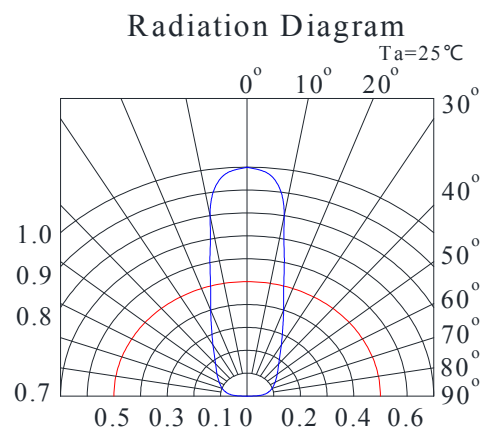
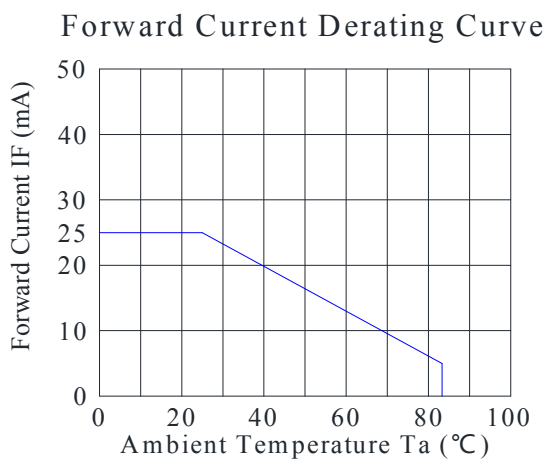
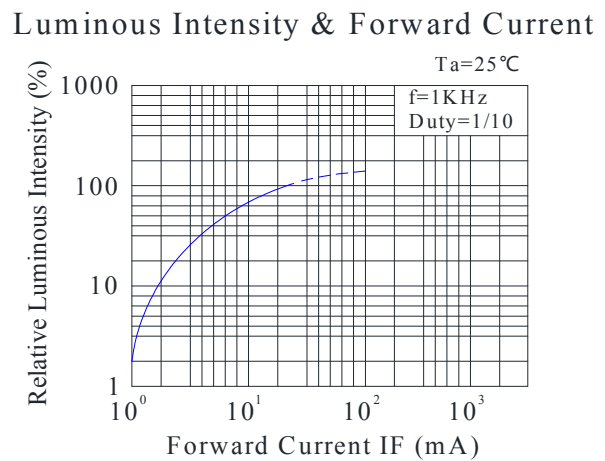
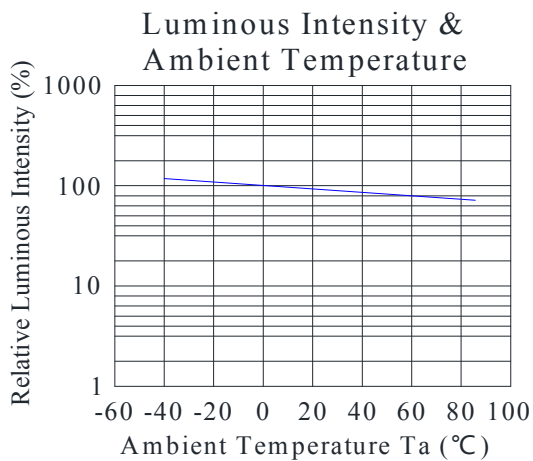
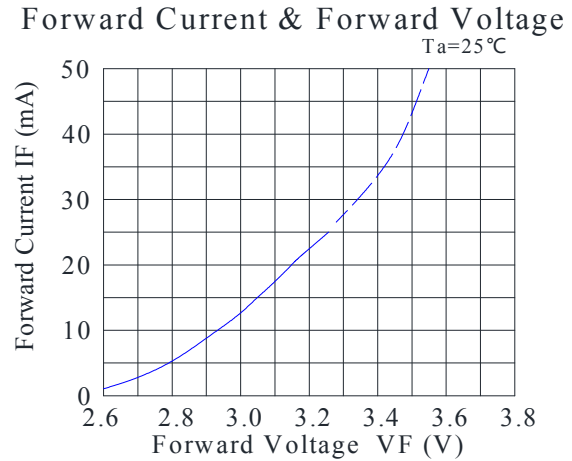
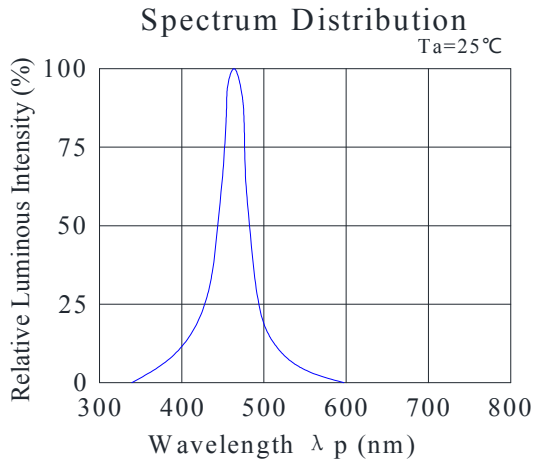
SR185VBC-2B-B41BJ
3.2x2.7mm, Red & Blue LED



Round Subminiature Package Bi-Color Chip LED Indicator

Technical Data Sheet

Blue:



SR185VBC-2B-B41BJ

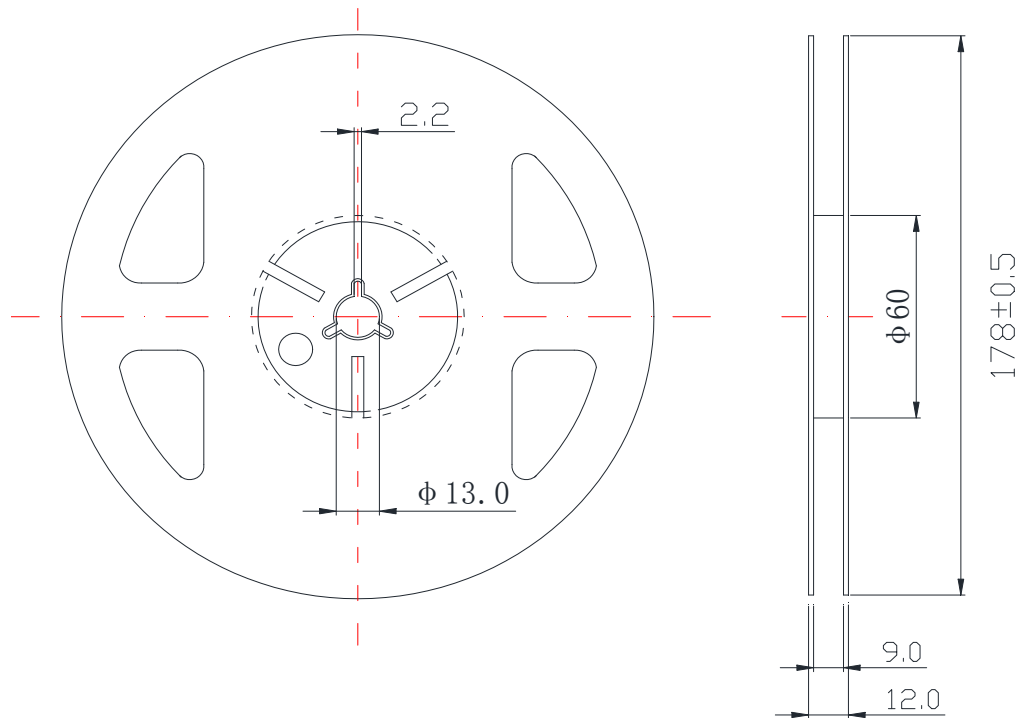
3.2x2.7mm, Red & Blue LED



Round Subminiature Package Bi-Color Chip LED Indicator

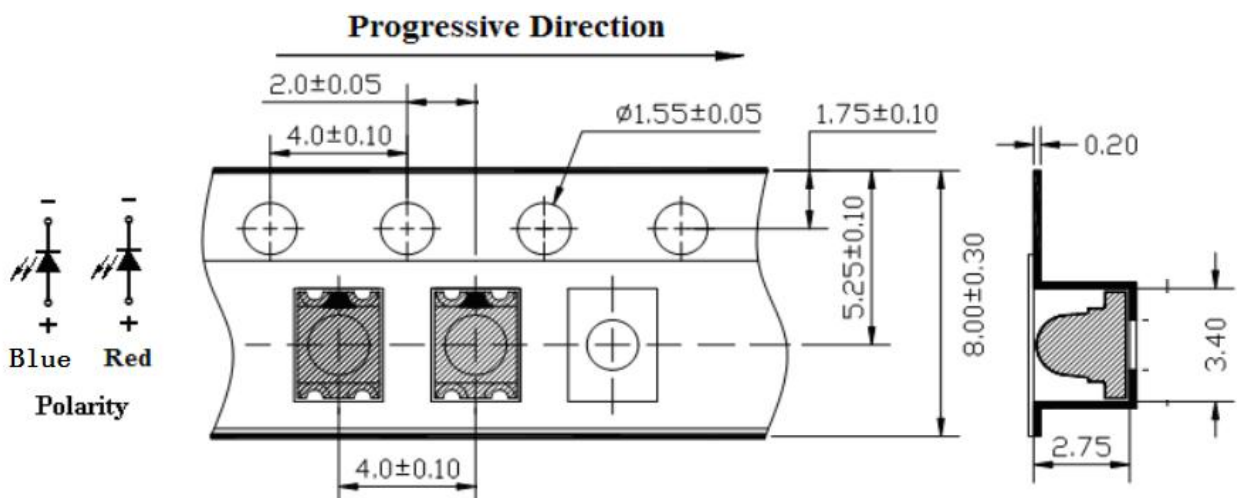
Technical Data Sheet

Reel Dimensions:



Carrier Tape Dimensions:

Loaded quantity 2000 pcs per reel.



SR185VBC-2B-B41BJ
3.2x2.7mm, Red & Blue LED

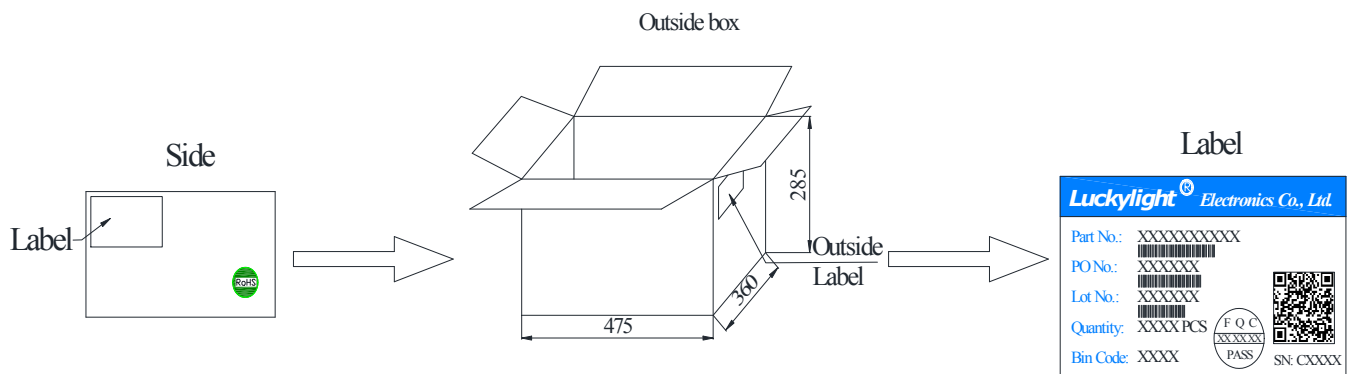
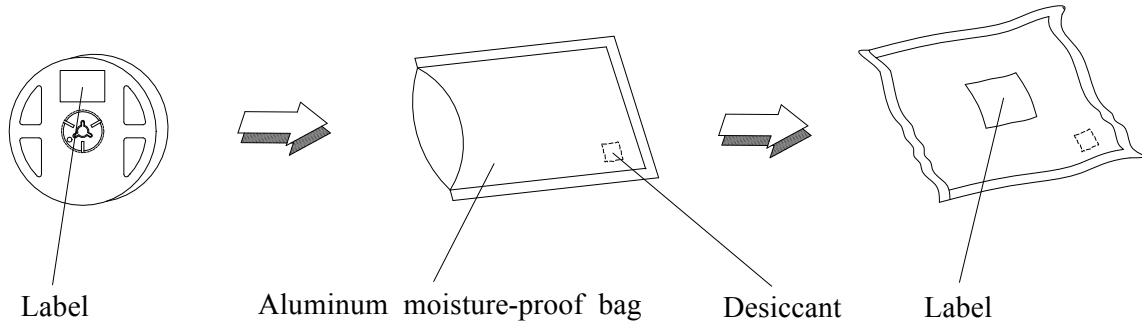


Round Subminiature Package Bi-Color Chip LED Indicator

Technical Data Sheet

Packing & Label Specifications:

Moisture Resistant Packaging:

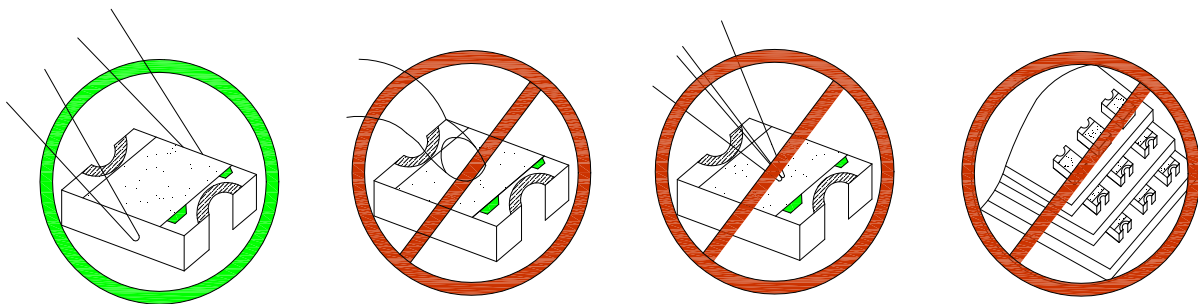


Technical Data Sheet

CAUTIONS

1. Handling Precautions:

- 1.1. Handle the component along the side surfaces by using forceps or appropriate tools.
- 1.2. Do not directly touch or handle the silicone lens surface. It may damage the internal circuitry.
- 1.3. Do not stack together assembled PCBs containing exposed LEDs. Impact may scratch the silicone lens or damage the internal circuitry.



Compare to epoxy encapsulant that is hard and brittle, silicone is softer and flexible. Although its characteristic significantly reduces thermal stress, it is more susceptible to damage by external mechanical force. As a result, special handling precautions need to be observed during assembly using silicone encapsulated LED products. Failure to comply might lead to damage and premature failure of the LED.

2. Storage

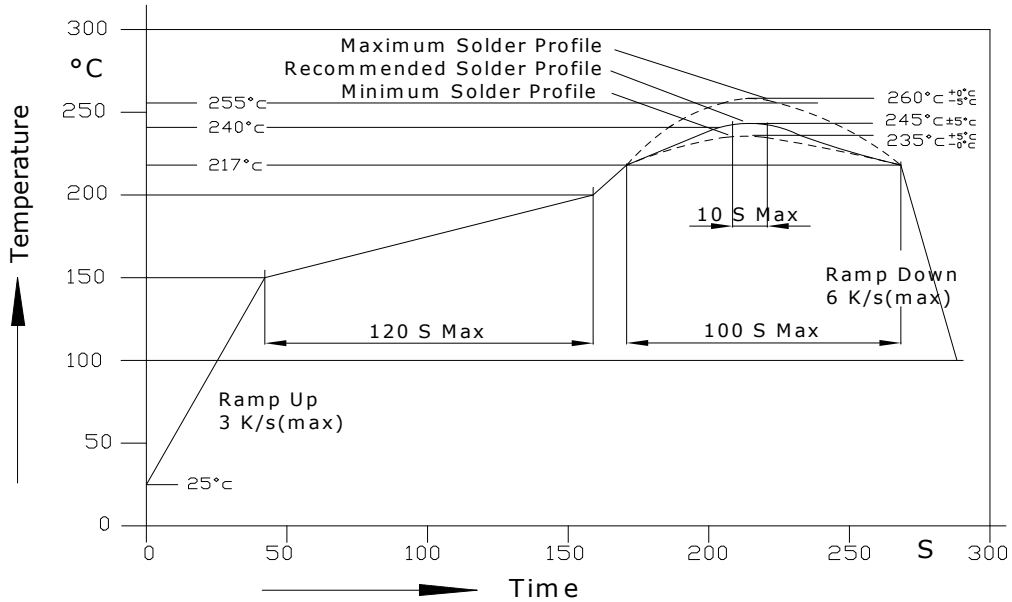
- 2.1. Do not open moisture proof bag before the products are ready to use.
- 2.2. Before opening the package, the LEDs should be kept at 30°C or less and 60%RH or less.
- 2.3. The LEDs should be used within a year.
- 2.4. After opening the package, the LEDs should be kept at 30°C or less and 60%RH or less.
- 2.5. The LEDs should be used within 168 hours after opening the package.
- 2.6. If the moisture adsorbent material has fabled away or the LEDs have exceeded the storage time, baking treatment should be performed using the following conditions. Baking treatment: 65±5°C for 24 hours.

3. Soldering Condition

Round Subminiature Package Bi-Color Chip LED Indicator

Technical Data Sheet

3.1. Pb-free solder temperature profile



- 3.2. Reflow soldering should not be done more than two times.
- 3.3. When soldering, do not put stress on the LEDs during heating.
- 3.4. After soldering, do not warp the circuit board.
- 3.5. Recommended soldering conditions:

Reflow soldering		Soldering iron	
Pre-heat	150~200°C	Temperature	300°C Max.
Pre-heat time	120 sec. Max.	Soldering time	3 sec. Max.
Peak temperature	260°C Max.		(one time only)
Soldering time	10 sec. Max.(Max. two times)		

3.6. Because different board designs use different number and types of devices, solder pastes, reflow ovens, and circuit boards, no single temperature profile works for all possible combinations.

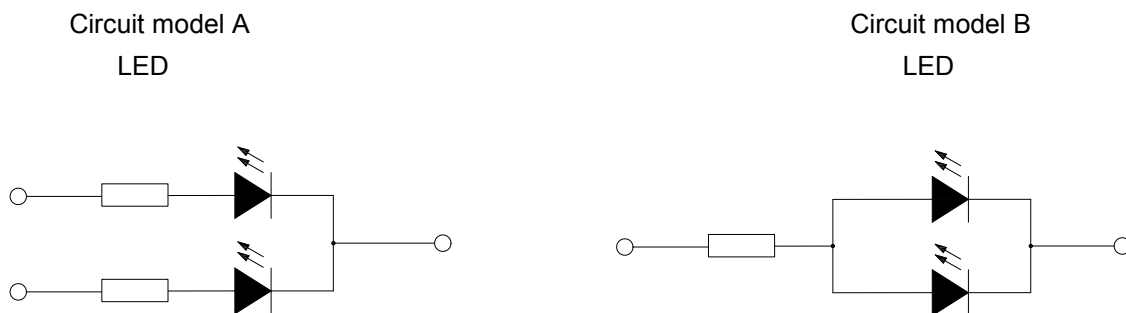
Round Subminiature Package Bi-Color Chip LED Indicator

Technical Data Sheet

However, you can successfully mount your packages to the PCB by following the proper guidelines and PCB-specific characterization.

4. Drive Method

4.1. An LED is a current-operated device. In order to ensure intensity uniformity on multiple LEDs connected in parallel in an application, it is recommended that a current limiting resistor be incorporated in the drive circuit, in series with each LED as shown in Circuit A below.



- a. Recommended circuit.
- b. The brightness of each LED might appear different due to the differences in the I-V characteristics of those LEDs.

Terms and conditions for the usage of this document

1. The information included in this document reflects representative usage scenarios and is intended for technical reference only.
2. The part number, type, and specifications mentioned in this document are subject to future change and improvement without notice. Before production usage customer should refer to the latest datasheet for the updated specifications.
3. When using the products referenced in this document, please make sure the product is being operated within the environmental and electrical limits specified in the datasheet. If customer usage exceeds the specified limits, LuckyLight will not be responsible for any subsequent issues.
4. The information in this document applies to typical usage in consumer electronics applications. If customer's application has special reliability requirements or have life-threatening liabilities, such as automotive or medical usage, please consult with LuckyLight representative for further assistance.
5. The contents and information of this document may not be reproduced or re-transmitted without permission by LuckyLight.