

## R3528JAC-A-5C-AM

3.5x2.8mm, Super Bright Orange LED  
Surface Mount PLCC-4 LED Indicator

### Technical Data Sheet

---

#### Features:

- Industry standard PLCC-4 package.
- Colorless clear window.
- Inter reflector.
- Available in full selection of colors.
- Suitable for automatic placement equipment.
- Suitable for vapor-phase reflow, Infrared reflow and wave solder processes.
- Available on tape and reel (8mm Tape).
- The product itself will remain within RoHS compliant Version.



#### Descriptions:

- The R3528J series is available in soft red, orange, yellow, green, blue and white. Due to the package design, the LED has wide viewing angle and optimized light coupling by inter reflector. This feature makes the SMT TOP LED ideal for light pipe application. The low current requirement makes this device ideal for portable equipment or any other application where power is at a premium.

#### Applications:

- Interior automotive
- Instrument panel backlighting
- Central console backlighting
- Switch push button backlighting
- Electronic signs and signals
- Interior full color sign
- Variable message sign
- Office automation,home appliances,industrial equipment

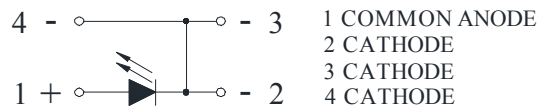
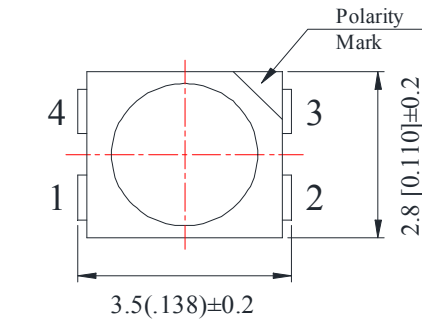
Part No.	Emitting Color	Lens Color
R3528JAC-A-5C-AM	Super Bright Orange	Water Clear

# R3528JAC-A-5C-AM

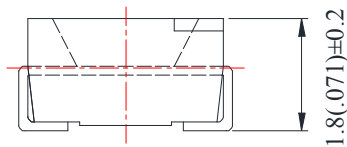
3.5x2.8mm, Super Bright Orange LED  
Surface Mount PLCC-4 LED Indicator

## Technical Data Sheet

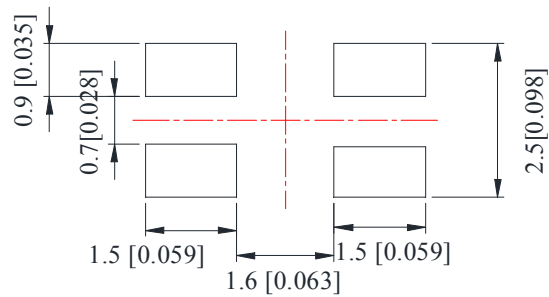
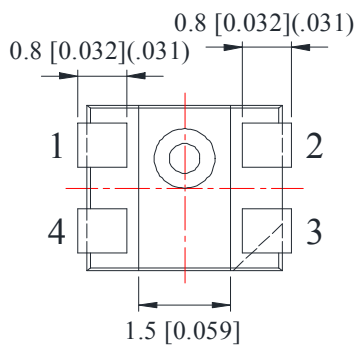
### Package Dimension:



### Polarity



### Recommended Soldering Pad Dimensions



### Notes:

1. All dimensions are in millimeters (inches).
2. Tolerance is ± 0.25 mm (.010") unless otherwise noted.

# R3528JAC-A-5C-AM

3.5x2.8mm, Super Bright Orange LED  
Surface Mount PLCC-4 LED Indicator

## Technical Data Sheet

### Absolute Maximum Ratings at Ta=25°C

Parameters	Symbol	Max	Unit
Power Dissipation	Pd	156	mW
Peak Forward Current <sup>(a)</sup>	IFP	100	mA
DC Forward Current	IF	60	mA
Reverse Voltage	VR	5	V
Electrostatic Discharge (HBM)	ESD	2000	V
Operating Temperature Range	Topr	-40°C to +85°C	
Storage Temperature Range	Tstg	-40°C to +85°C	
Soldering Temperature	Tsld	260°C for 5 Seconds	

Notes:

a. Duty Factor = 10%, Frequency = 1 kHz

### Electrical Optical Characteristics at Ta=25°C

Parameters	Symbol	Min.	Typ.	Max.	Unit	Test Condition
Luminous Flux <sup>(a)</sup>	$\Phi_v$	2	4	---	Lm	IF=50mA
Luminous Intensity <sup>(a)</sup>	IV	1000	1800	---	mcd	IF=50mA
Viewing Angle	2 $\theta$ 1/2	---	120	---	Deg	IF=50mA
Peak Emission Wavelength	$\lambda_p$	---	610	---	nm	IF=50mA
Dominant Wavelength <sup>(b)</sup>	$\lambda_d$	---	605	---	nm	IF=50mA
Spectral Line Half-Width	$\Delta\lambda$	---	20	---	nm	IF=50mA
Forward Voltage <sup>(c)</sup>	VF	1.60	2.10	2.60	V	IF=50mA
Reverse Current	IR	---	---	10	$\mu$ A	VR=5V

Notes:

a. Luminous flux measurement tolerance:  $\pm 10\%$ .

b. Wavelength measurement tolerance:  $\pm 1\text{nm}$

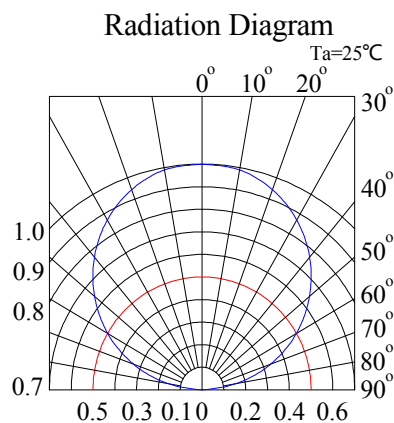
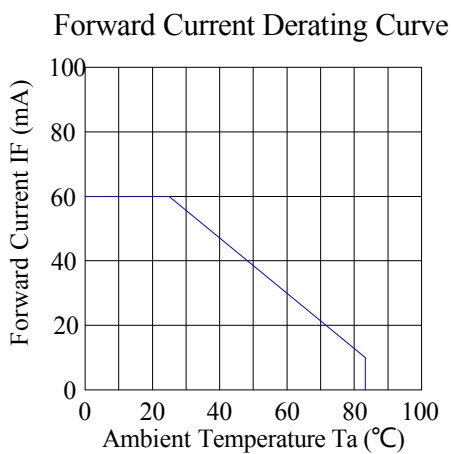
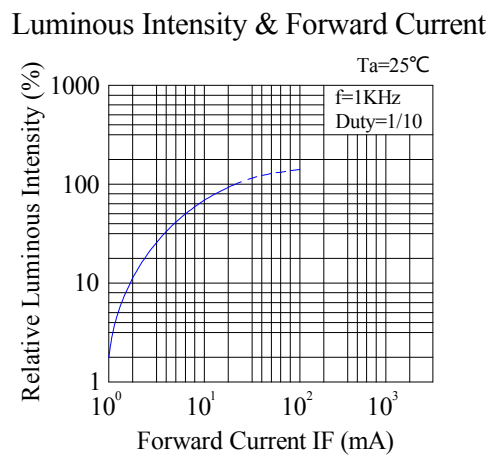
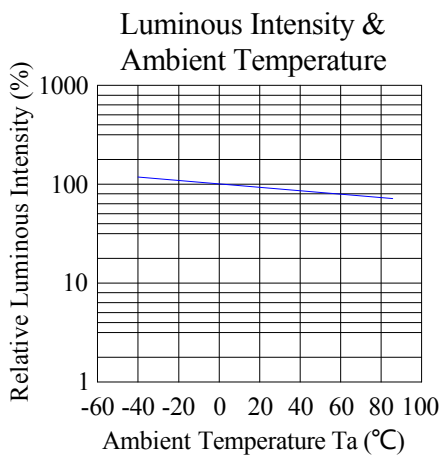
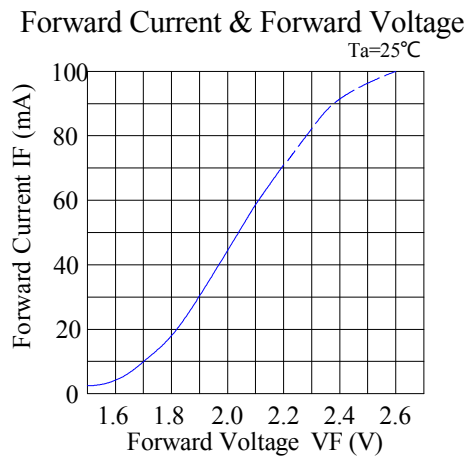
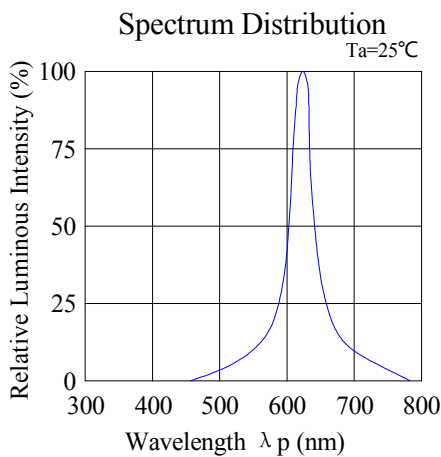
c. Forward voltage measurement tolerance:  $\pm 0.1\text{V}$

# R3528JAC-A-5C-AM

3.5x2.8mm, Super Bright Orange LED  
Surface Mount PLCC-4 LED Indicator

## Technical Data Sheet

### Typical Electrical / Optical Characteristics Curves (25°C Ambient Temperature Unless Otherwise Noted)

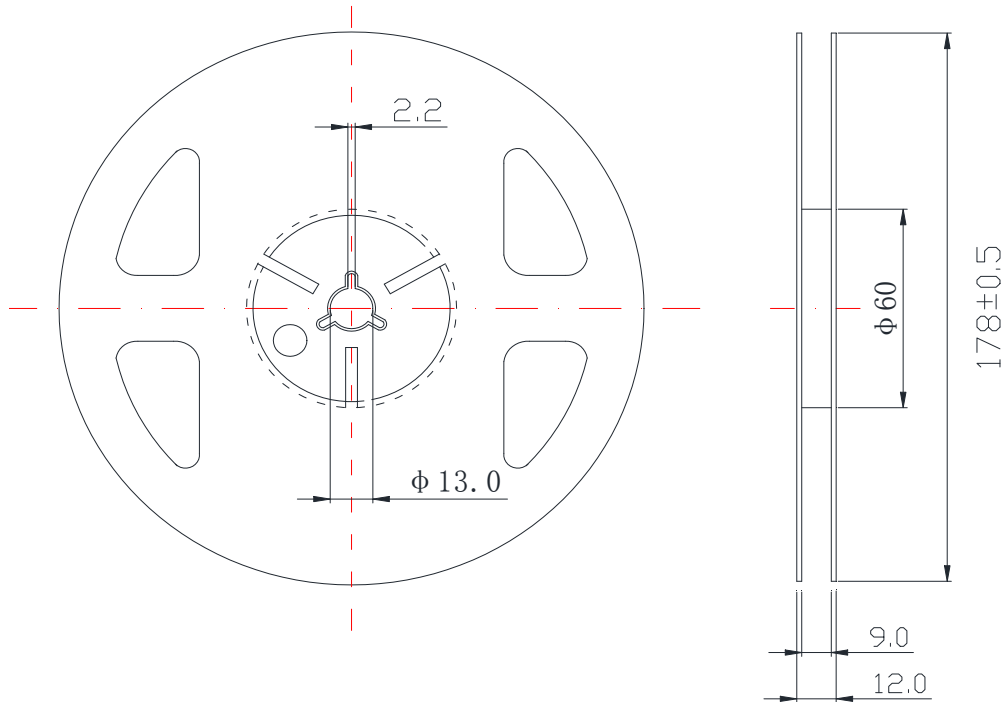


# R3528JAC-A-5C-AM

3.5x2.8mm, Super Bright Orange LED  
Surface Mount PLCC-4 LED Indicator

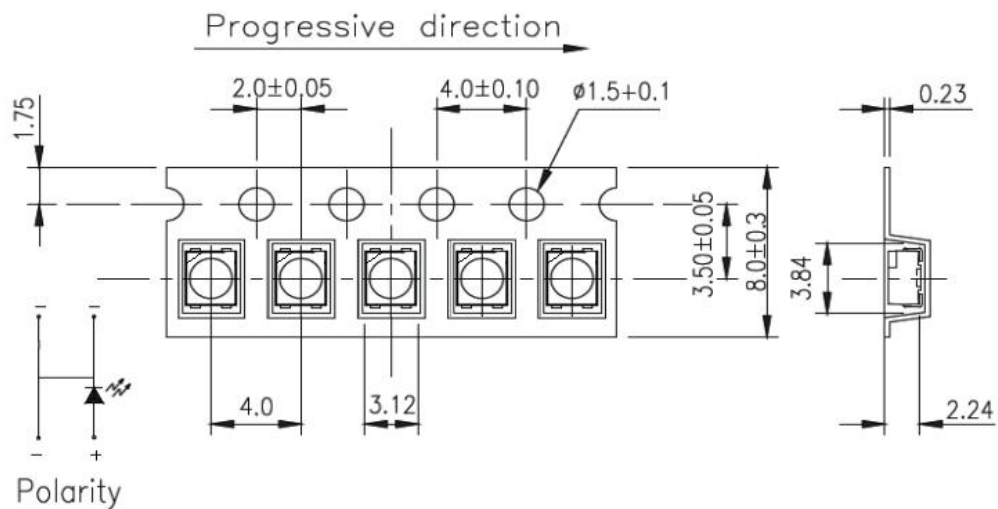
## Technical Data Sheet

### Reel Dimensions:



### Carrier Tape Dimensions:

Loaded quantity 2000 pcs per reel.



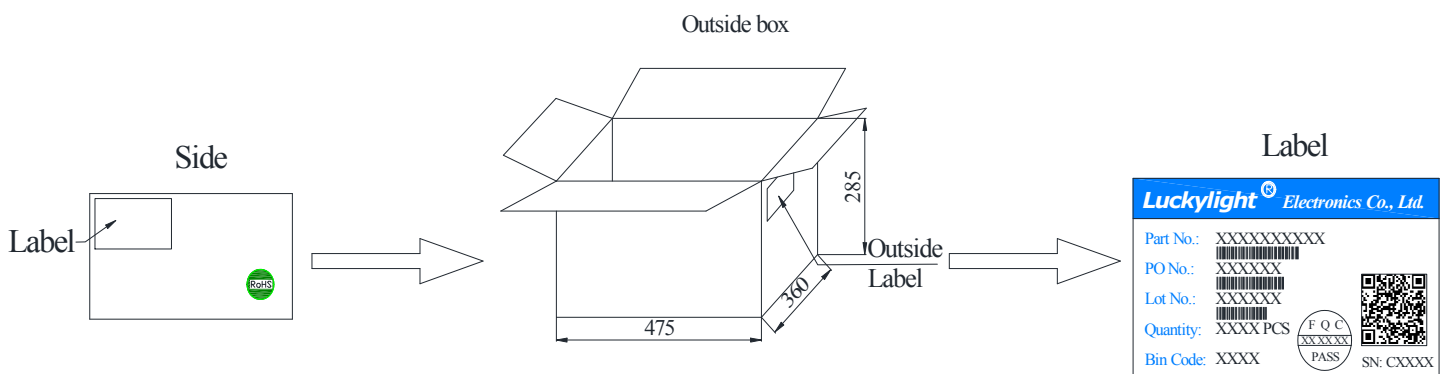
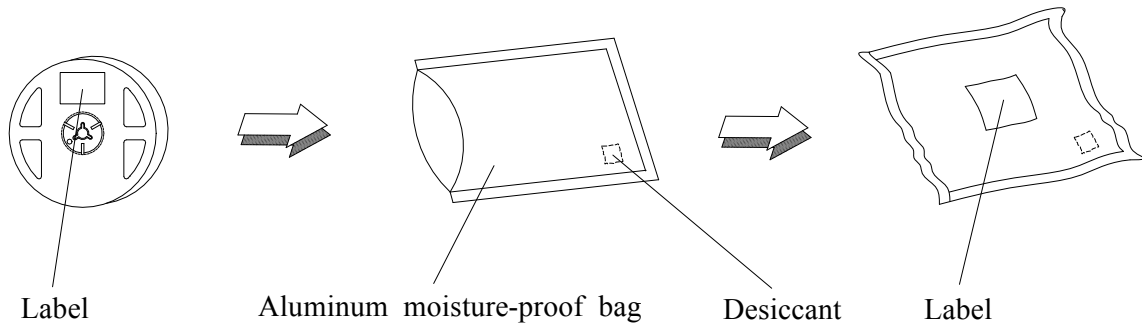
# R3528JAC-A-5C-AM

3.5x2.8mm, Super Bright Orange LED  
Surface Mount PLCC-4 LED Indicator

## Technical Data Sheet

### Packing & Label Specifications:

Moisture Resistant Packaging:



## R3528JAC-A-5C-AM

3.5x2.8mm, Super Bright Orange LED  
Surface Mount PLCC-4 LED Indicator

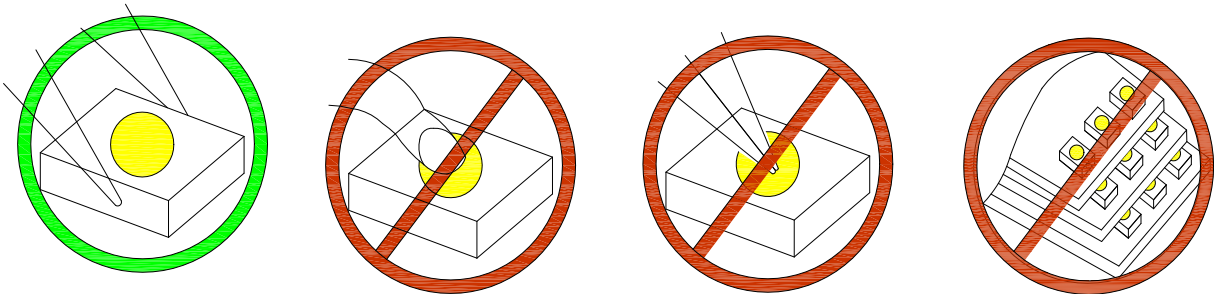
### Technical Data Sheet

---

#### CAUTIONS

##### 1. Handling Precautions:

- 1.1. Handle the component along the side surfaces by using forceps or appropriate tools.
- 1.2. Do not directly touch or handle the silicone lens surface. It may damage the internal circuitry.
- 1.3. Do not stack together assembled PCBs containing exposed LEDs. Impact may scratch the silicone lens or damage the internal circuitry.



Compare to epoxy encapsulant that is hard and brittle, silicone is softer and flexible. Although its characteristic significantly reduces thermal stress, it is more susceptible to damage by external mechanical force. As a result, special handling precautions need to be observed during assembly using silicone encapsulated LED products. Failure to comply might lead to damage and premature failure of the LED.

##### 2. Storage

- 2.1. Do not open moisture proof bag before the products are ready to use.
- 2.2. Before opening the package, the LEDs should be kept at 30°C or less and 60%RH or less.
- 2.3. The LEDs should be used within a year.
- 2.4. After opening the package, the LEDs should be kept at 30°C or less and 60%RH or less.
- 2.5. The LEDs should be used within 24 hours after opening the package.
- 2.6. If the moisture adsorbent material has fabled away or the LEDs have exceeded the storage time, baking treatment should be performed using the following conditions. Baking treatment: 65±5°C for 24 hours.





## R3528JAC-A-5C-AM

3.5x2.8mm, Super Bright Orange LED  
Surface Mount PLCC-4 LED Indicator

### Technical Data Sheet

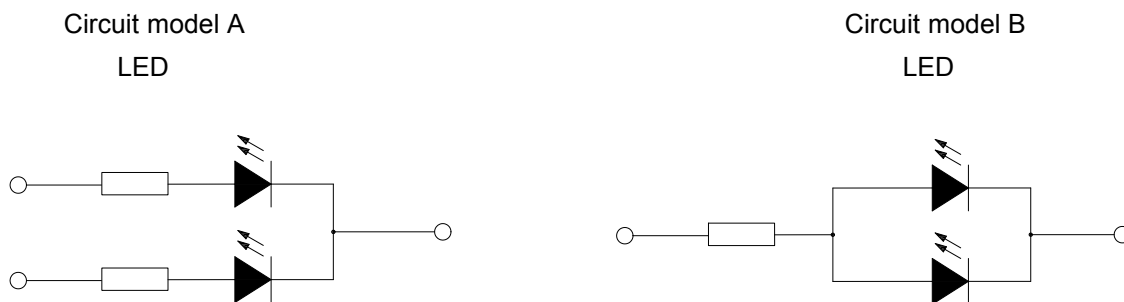
---

3.6. Because different board designs use different number and types of devices, solder pastes, reflow ovens, and circuit boards, no single temperature profile works for all possible combinations.

However, you can successfully mount your packages to the PCB by following the proper guidelines and PCB-specific characterization.

#### 4. Drive Method

4.1. An LED is a current-operated device. In order to ensure intensity uniformity on multiple LEDs connected in parallel in an application, it is recommended that a current limiting resistor be incorporated in the drive circuit, in series with each LED as shown in Circuit A below.



- Recommended circuit.
- The brightness of each LED might appear different due to the differences in the I-V characteristics of those LEDs.

#### Terms and conditions for the usage of this document

- The information included in this document reflects representative usage scenarios and is intended for technical reference only.
- The part number, type, and specifications mentioned in this document are subject to future change and improvement without notice. Before production usage customer should refer to the latest datasheet for the updated specifications.
- When using the products referenced in this document, please make sure the product is being operated within the environmental and electrical limits specified in the datasheet. If customer usage exceeds the specified limits, LuckyLight will not be responsible for any subsequent issues.
- The information in this document applies to typical usage in consumer electronics applications. If customer's application has special reliability requirements or have life-threatening liabilities, such as automotive or medical usage, please consult with LuckyLight representative for further assistance.
- The contents and information of this document may not be reproduced or re-transmitted without permission by LuckyLight.