

## KW1-S301ABA

7.62mm (0.30inch) Blue LED Display

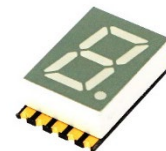
Single Digit 7-segment Surface Mount LED Display

### Technical Data Sheet

---

#### Features

- High reliability.
- Low power consumption.
- Excellent characters appearance.
- Evenly lighted segments.
- Packaged in tape and reel for SMT manufacturing.
- The thickness is thinner than traditional through-hole LED display.
- I.C compatible.
- RoHS compliant.



#### Descriptions

- The KW1-S301ABA is a 7.62mm (0.30inch) digit height surface mount 7-segment LED display.
- The display provides excellent reliability in bright ambient light.
- The device is available as either common anode or common cathode.
- The device is made with white diffused segments and gray surface.

#### Applications

- Home and smart appliances.
- Instrument panels.
- Display time and digital combination.
- Test and measurement equipment.
- Control units.

#### Device Selection Guide

| Part No.    | Emitting Color | Circuit Common |
|-------------|----------------|----------------|
| KW1-S301ABA | Blue           | Common Anode   |

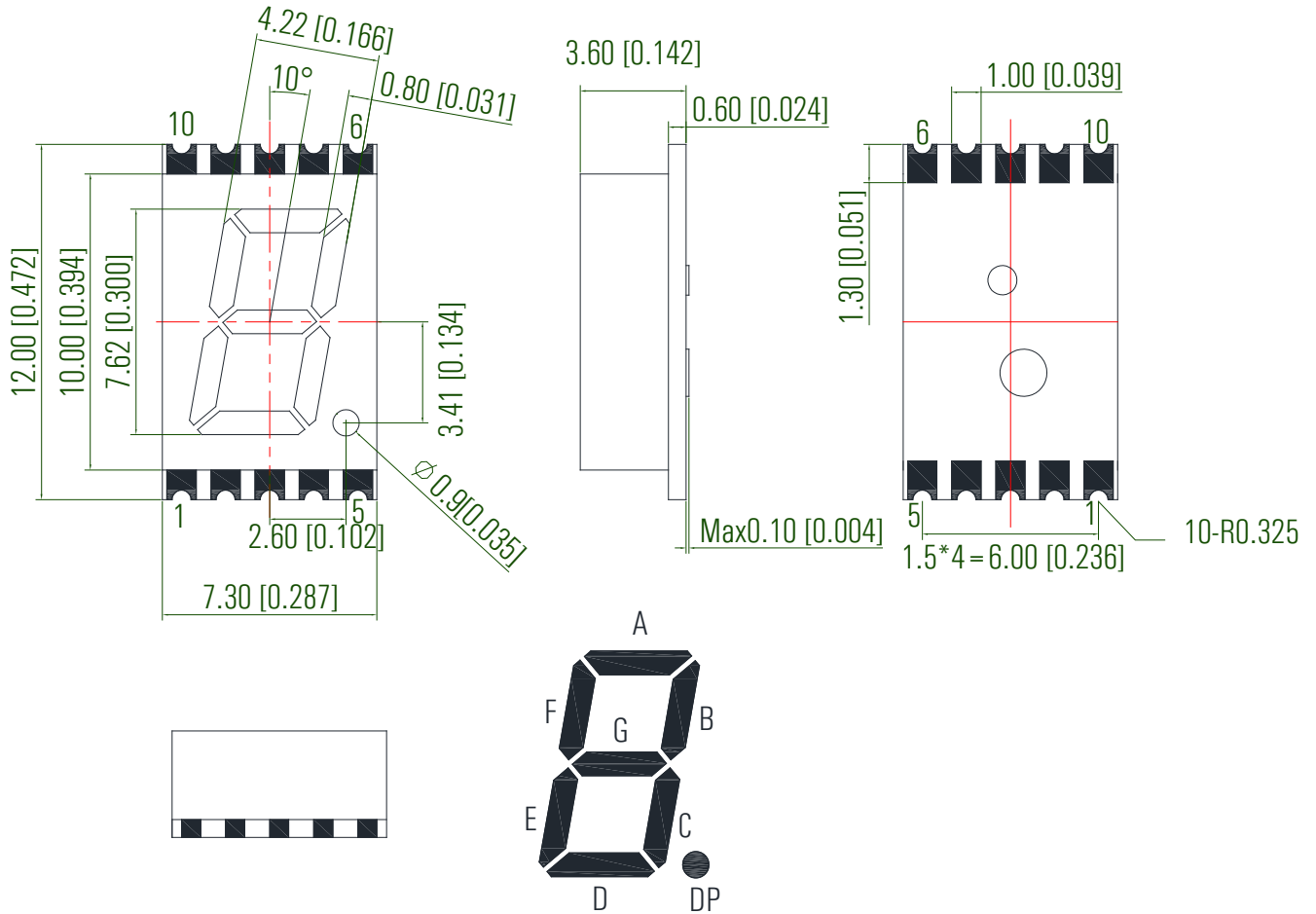
# KW1-S301ABA

7.62mm (0.30inch) Blue LED Display

Single Digit 7-segment Surface Mount LED Display

## Technical Data Sheet

### Package Dimension



#### Notes:

1. All dimensions are in millimeters (inches).
2. Tolerance is  $\pm 0.25$  mm (.010") unless otherwise noted.
3. The gap between the reflector and PCB shall not exceed 0.25mm.

# KW1-S301ABA

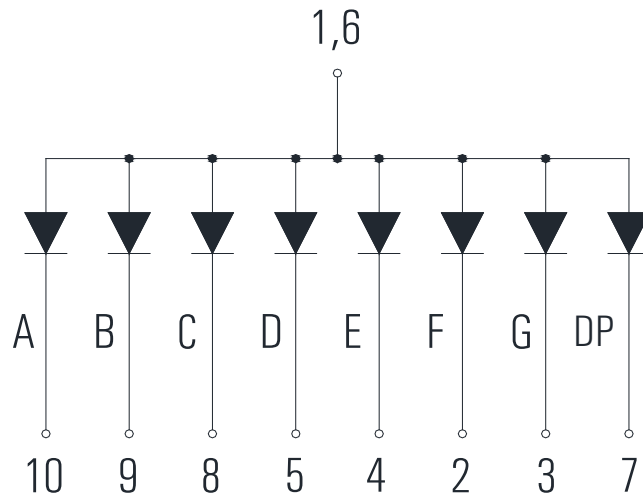
7.62mm (0.30inch) Blue LED Display

Single Digit 7-segment Surface Mount LED Display

## Technical Data Sheet

---

Internal Circuit Diagram:



## Technical Data Sheet

## Absolute Maximum Ratings at Ta=25°C

| Parameters   | Symbol    | Max                 | Unit |
|--|-----------|---------------------|------|
| Power Dissipation (Per Chip)   | $P_d$     | 64                  | mW   |
| Peak Forward Current (Per Segment)<br>(1/10 Duty Cycle, 0.1ms pulse width) | $I_{FP}$  | 40                  | mA   |
| Forward Current (Per Segment)  | $I_F$     | 20                  | mA   |
| Reverse Voltage (Per Chip)   | $V_R$     | 5                   | V    |
| Operating Temperature Range  | $T_{opr}$ | -40°C to +80°C      |      |
| Storage Temperature Range  | $T_{stg}$ | -40°C to +85°C      |      |
| Soldering Temperature  | $T_{sld}$ | 260°C for 5 Seconds |      |

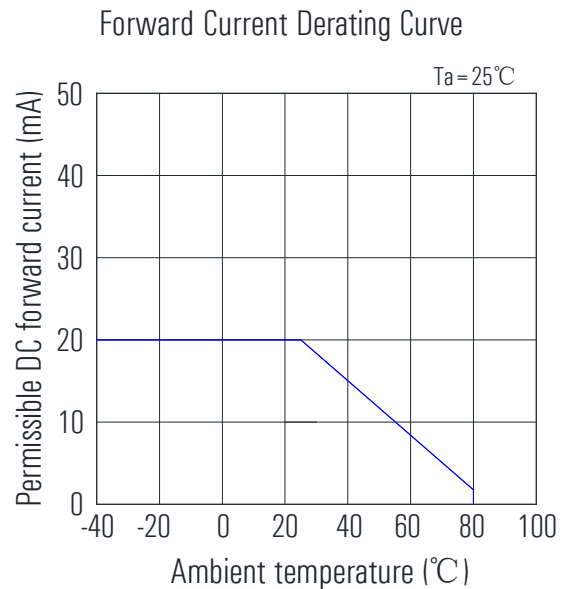
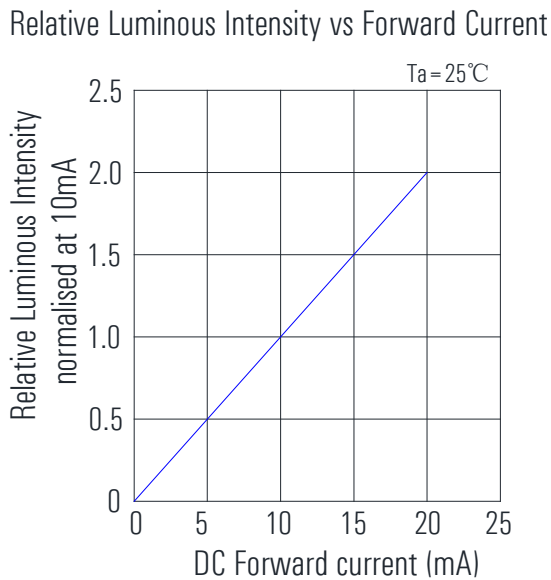
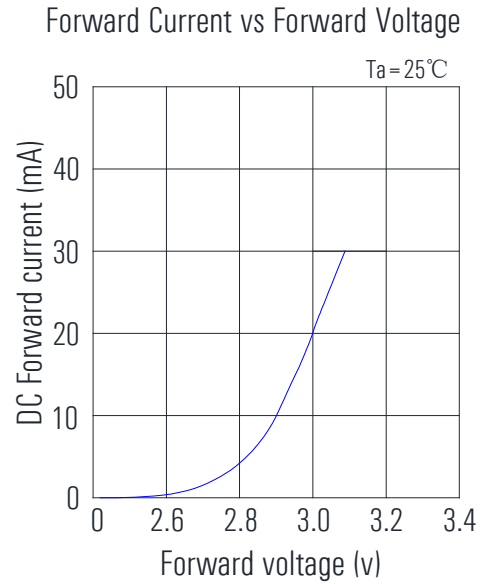
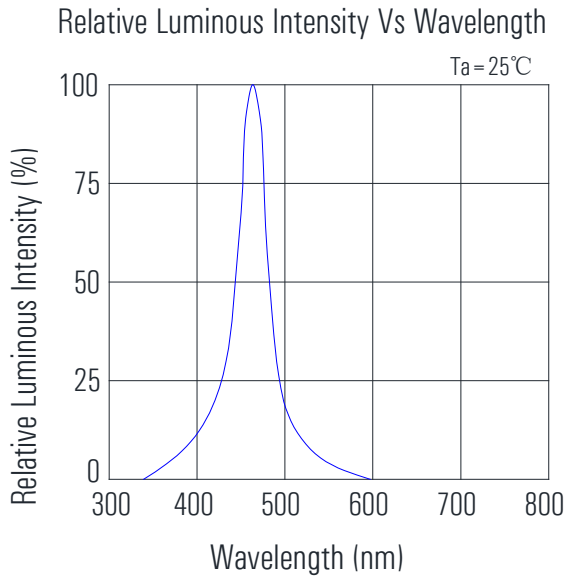
## Electrical Optical Characteristics at Ta=25°C

| Parameters                        | Symbol          | Min. | Typ. | Max. | Unit    | Test Condition   |
|-----------------------------------|-----------------|------|------|------|---------|------------------|
| Average Luminous Intensity        | $I_v$           | 6.5  | 13.0 | ---  | mcd     | IF=5mA (Note a)  |
|                                   |                 | 13.0 | 26.0 | ---  | mcd     | IF=10mA (Note a) |
| Luminous Intensity Matching Ratio | $I_{v-m}$       | ---  | ---  | 2:1  |         | IF=20mA          |
| Peak Emission Wavelength          | $\lambda_p$     | ---  | 468  | ---  | nm      | IF=20mA          |
| Dominant Wavelength               | $\lambda_d$     | ---  | 470  | ---  | nm      | IF=20mA (Note b) |
| Spectral Line Half-Width          | $\Delta\lambda$ | ---  | 20   | ---  | nm      | IF=20mA          |
| Forward Voltage (Per Segment)     | $V_F$           | ---  | 3.0  | 3.2  | V       | IF=20mA (Note c) |
| Reverse Current (Per Segment)     | $I_R$           | ---  | ---  | 50   | $\mu$ A | VR=5V            |

## Notes:

- Luminous intensity is measured with a light sensor and filter combination that approximates the CIE eye-response curve.  
Tolerance of Luminous Intensity:  $\pm 10\%$
- The dominant wavelength ( $\lambda_d$ ) is derived from the CIE chromaticity diagram and represents the single wavelength which defines the color of the device.
- Tolerance of Forward Voltage:  $\pm 0.1V$

**Typical Electrical/Optical Characteristics Curves  
(25°C Ambient Temperature Unless Otherwise)**



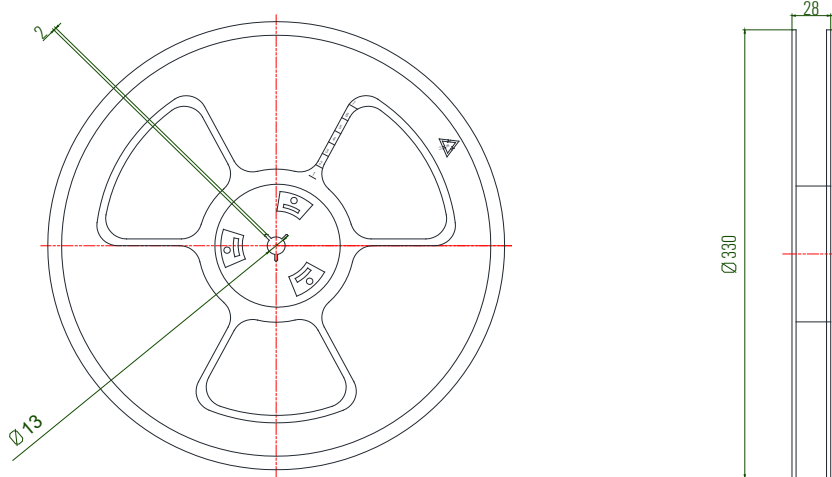
# KW1-S301ABA

7.62mm (0.30inch) Blue LED Display

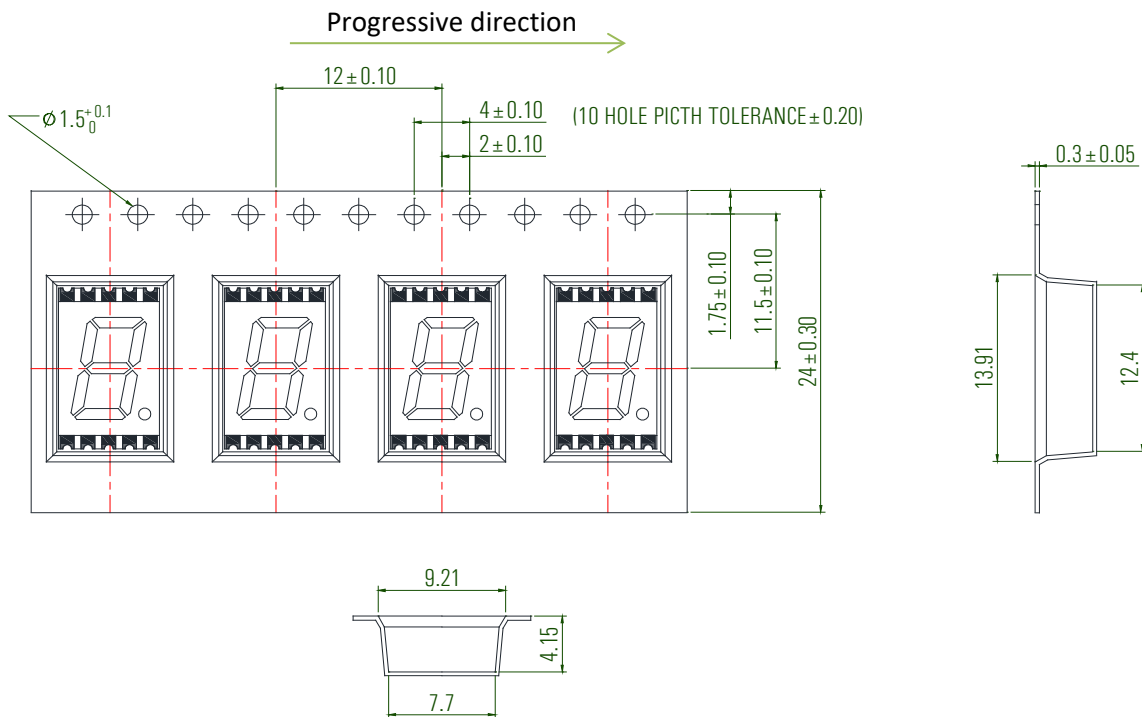
Single Digit 7-segment Surface Mount LED Display

## Technical Data Sheet

### Reel Dimensions (units: mm)

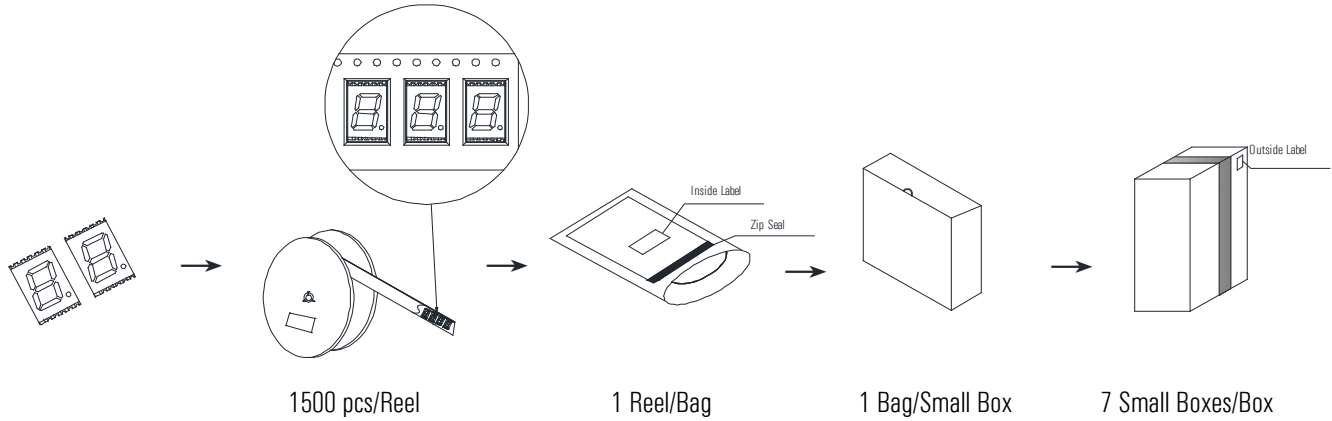


### Tape Specifications (units: mm)



Note: Tolerances unless mentioned ±0.25mm.

**Packing & Label Specifications**

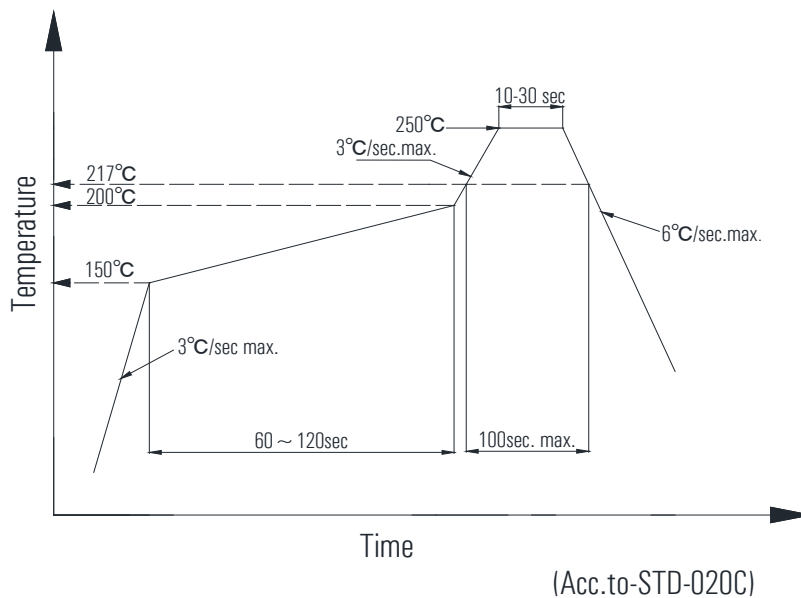


**Precautions for Use**

**1. Caution in ESD**

Static electricity and surge damages the LED. It is recommended to use a wrist band or anti-electrostatic glove when handling the LED. All devices equipment and machinery must be properly grounded.

**2. Pb-Free Reflow Soldering Profile**



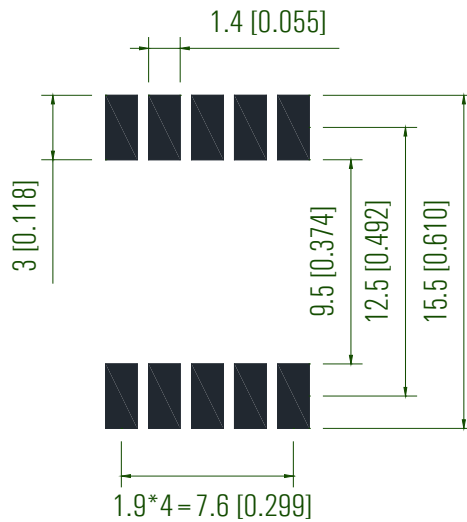
**Technical Data Sheet**

Notes:

| Pre-heat             |               | Other                                 |                |
|----------------------|---------------|---------------------------------------|----------------|
| Temperature min      | 150°C         | Liquidus Temperature                  | 217°C          |
| Temperature max      | 200 °C        | Time above Liquidus Temperature       | 100sec.max     |
| Time                 | 60-120sec     | Peak Temperature                      | 250°C          |
| Average ramp-up rate | 3 °C/sec.max. | Ramp- Down Rate from Peak Temperature | 6 °C/sec. max. |
|                      |               | Reflow times                          | 1 time         |

- a. Reflow soldering is recommended. Other soldering methods are not recommended as they might cause damage to the product.
- b. All parameters are maximum body case temperature values and cannot be considered as a soldering profile. The body case temperature was measured by soldering a thermal couple to the soldering point of LEDs.
- c. No more than one reflow welding is recommended.

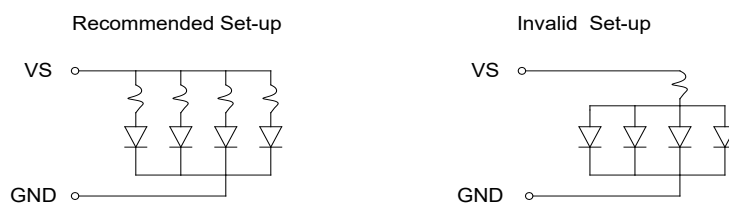
**3. Recommended Soldering Pattern**





**4. Circuit Design Notes:**

- Protective current-limiting resistors may be necessary to operate the LEDs within the specified range.
- LEDs mounted in parallel should each be placed in series with its own current-limiting resistor.
- The driving circuit should be designed to protect the LED against reverse voltages and transient voltage spikes when the circuit is powered up or shut down.
- The safe operating current should be chosen after considering the maximum ambient temperature of the operating environment.

**Terms and conditions for the usage of this document**

- The information included in this document reflects representative usage scenarios and is intended for technical reference only.
- The part number, type, and specifications mentioned in this document are subject to future change and improvement without notice. Before production usage customer should refer to the latest datasheet for the updated specifications.
- When using the products referenced in this document, please make sure the product is being operated within the environmental and electrical limits specified in the datasheet. If customer usage exceeds the specified limits, LuckyLight will not be responsible for any subsequent issues.
- The information in this document applies to typical usage in consumer electronics applications. If customer's application has special reliability requirements or have life-threatening liabilities, such as automotive or medical usage, please consult with LuckyLight representative for further assistance.
- The contents and information of this document may not be reproduced or re-transmitted without permission by LuckyLight.
- The LEDs should be operated with forward bias. The driving circuit must be designed so that the LEDs are not subjected to forward or reverse voltage while it is off. If reverse voltage is continuously applied to the LEDs, it may cause migration resulting in LED damage.
- Sundries and stains are controlled within 0.2mm, which can be passed.